

## All stainless steel pressure gauges with Bourdon tube, with and without glycerine filling

Accuracy class 1.0

Nominal sizes ND 100

License:



### Description

The all stainless steel pressure gauges are ideal for the hard conditions and the resulting high demands on pressure measurement in production facilities in chemical industry and other comparable branches. Resistance to aggressive media and environments is achieved by using highgrade materials such as stainless steel both for the measuring system and the case.

The glycerine-filled version is damped for wear-protection should pulsating pressures and mechanical vibrations occur. The measuring system is of accuracy class 1.0, has overrange protection amounting to 1.3 times the max. rating and can be loaded up to the full scale value.

A series of installation possibilities enables adaption to special requirements and installation conditions.

### Features

- o Stainless steel case and measuring system
- o Protection IP 54 resp. IP 65 (filled)
- o Accuracy class 1.0
- o For use up to full scale value
- o Overrange protection 1.3 times max.
- o Case with or without filling

### Ranges

0 ... 0.6 bar to 0 ... 1600 bar

### Applications

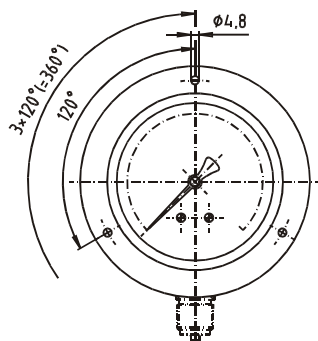
Chemical and petrochemical industry;  
Foodstuffs and beverages industry;  
Plastics and paper industry;  
Machine and apparatus construction

**Models: 2324, 2325, 2328, 2329**

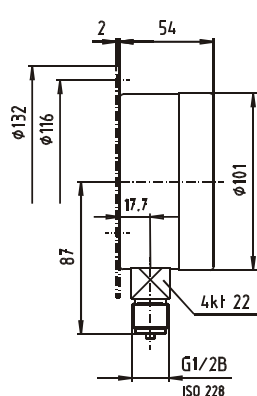
## Technical data

Models	2324	2325	2328	2329	Options
Nominal size	100				
Symbol					
Accuracy class	1.0 to EN 837-1				
Ranges	0 ... 0.6 bar to 0 ... 1600 bar negative gauge pressure or negative/positive gauge pressure				
Application	Constant load: up to full scale value Alternating load: up to 0.9 x fullscale value				
Overpressure protection	1.3 x , short-time				1.5 to 2 x max. rating depending on range
Case	Stainless steel 1.4301 , bare Pressure relief opening (sealed with rubber cover)				Stainless steel 1.4301, polished,
Bezel	Stainless steel 1.4301				
Mounting					Front flange, stainless steel 1.4301 polished Rear flange stainless steel 1.4301, bare Triangular bezel, polished with U-clamp zinc plated.
Window	Laminated safety glass				Plexiglass
Dial	Aluminium, white, scale and imprint black				Dual scale
Pointer	Aluminium, black				microadjustable pointer, red Al marker pointer on dial marker pointer on plexiglass with key adjustment or fixed knob
Movement	Stainless steel				plastic gearing and bearing; oil-damped pointer spindle (Manocont)
Measuring element	Stainless steel 316 L (Bourdon tube up to 60 bar, helical tube from 100 bar)				Monel
Connection - position - thread	Stainless steel 316 L bottom G 1/2 B; (1/2-14 NPT; 1/4-18 NPT; M 20 x 1.5)		Stainless steel 316 L back eccentric		Monel  Other threads on request protective cap for thread
Liquid filling	none	Glycerine	none	Glycerine	
Protection to EN 60 529/IEC 529	IP 54	IP 65	IP 54	IP 65	IP 65
Orifice					∅ 0.4; ∅ 0.8
Temperatures - Medium - Ambient	Tmin. -20°C, Tmax. 100°C Tmin. -25°C, Tmax. 60°C				media temp. 200°C on request
Weight	0.6 kg	1.0 kg	0.6 kg	1.0 kg	

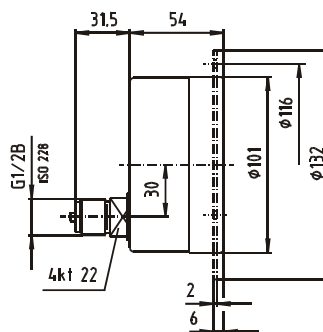
## Dimensions



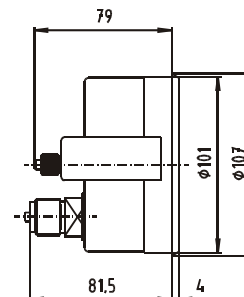
Model 2324 / 2325  
Hole pattern for front  
and rear flanges



rear flange



Model 2328 / 2329  
front flange



Model 2328 / 2329  
with triangular bezel  
and U-clamp

Modifications reserved