

Heavy Duty pressure gauges with Bourdon tube

Nominal size ND 80

Connection position bottom, radial
or back, central



Description

Pressure gauges of the comprehensive Heavy Duty range are manufactured on the basis of the modular construction system which brings advantages of quality and price. The gauges can be used in all applications where particular importance is attached to measuring accuracy, reproducibility and long-term stability. They can be used with liquid or gaseous media which are not highly viscous and which do not attack copper alloys or crystallize. A wide range of options enables the user to adapt the gauges to his own special requirements.

All Heavy Duty pressure gauges comply with general international recommendations for measuring systems and take requirements for specific applications and technical standards into consideration. (to EN837-1)

Panel mounting is facilitated by the central connecting pin at the back and a corresponding mounting bracket.

Special features

- o High reliability and long service life due.
- o Casing, Stainless steel 1.4301 (AISI 304)
- o Accuracy class 1.0
- o Copper alloy measuring system
- o Overload capacity 1.3 x
- o Protection to IP 54

Options / Measuring ranges

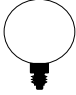
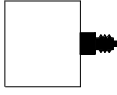
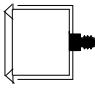
0 ... 0.6 bar to 0 ... 1000 bar

Applications

Mechanical engineering and apparatus construction
Automotive engineering,
power supply,
testing and monitoring systems.

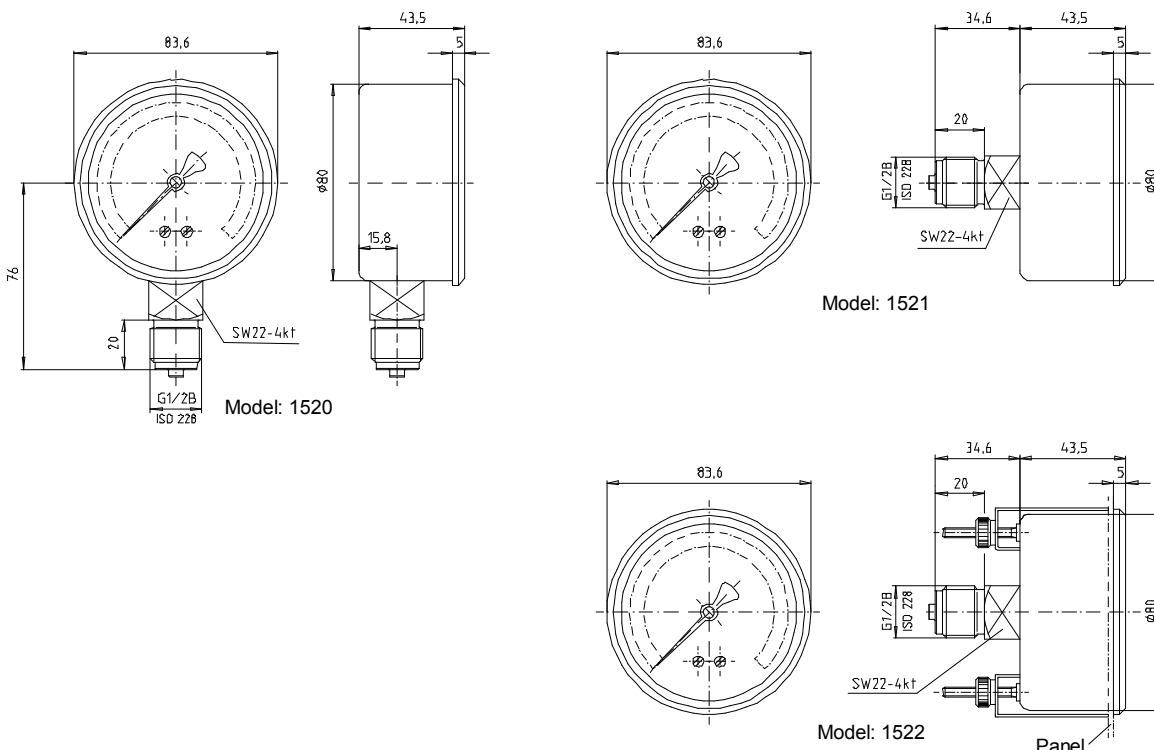
Models: 1520, 1521, 1522

Technical data

| Models | 1520 | 1521 | 1522 ¹⁾ | Options |
|---------------------|---|---|--|---|
| Nominal size | 80 | | | |
| Symbol EN 837 |  |  |  | |
| Accuracy class | 1.0 to EN 837-1 | | | |
| Ranges | 0...0.6 bar to 0...1000 bar negative or positive and negative/positive gauge pressure | | | |
| Application | Constant load: up to full scale value Alternating load: 0.9 x of full scale value short-time: overloadable 1.3- x | | | 1.5 to 2-x |
| Case | Stainless steel 1.4301 | | | Stainless steel, polished or painted black |
| Bezel | Triangular bezel, stainless steel 1.4301 polished | | | |
| Mounting | | | | Mounting bracket |
| Window | Plastic, Trogamid | | | Glass lens / safety glass |
| Dial | Aluminium white, scale and imprint black | | | Dual scale |
| Pointer | Aluminium black | | | Drag pointer |
| Movement | CuZn - alloy | | | Plastic bearing and teeth; Manocont |
| Measuring element | Cu - alloy up to 40 bar, above 40 bar stainless steel | | | |
| Pressure connection | CuZn - alloy | | | other threads on request |
| - position | radial bottom | back, central | | |
| - thread | G 1/2 B | | | |
| Protection | IP 54 to EN 60 529 / IEC 529 | | | IP 65 |
| Temperatures | - Medium Tmin. -20°C , Tmax. 80°C - Ambient Tmin. -25°C , Tmax. 60°C | | | |
| Temperature drift | 0.3 %/10K if deviation from normal temperature 20°C | | | |
| Orifice | | | | ø 0.3 ; ø 0.4 ; ø 0.8 |
| Weight approx. | 0.390 kg | 0.380 kg | 0.410 kg | |

1) Version available with illumination

Dimensions



Modifications reserved