



LMK 306

Stainless Steel Submersible Transmitter

- ▶ ceramic sensor
- ▶ **diameter: 17 mm**
- ▶ hydrostatic level measurement for example in 3/4" pipes (ground water measurement)
- ▶ nominal pressure ranges: 0 ... 6 mWC up to 0 ... 200 mWC
- ▶ accuracy: 0.25 % FSO BFSL (0.50 % FSO IEC 60770)
- ▶ suitable media: water and liquids of low viscosity, compatible with stainless steel 1.4571 and the sealing material



LMK 306

Stainless Steel Level Transmitter

Technical Data

Input pressure range										
Nominal pressure gauge [bar]	0.6	1	1.6	2.5	4	6	10	16	20	
Level [mWC]	6	10	16	25	40	60	100	160	200	
Permissible overpressure [bar]	2	2	4	4	10	10	20	40	40	

Output signal / Supply	
Standard	2-wire: 4 ... 20 mA / $V_s = 12 \dots 36 V_{DC}$

Performance		
Accuracy	IEC 60770 ¹ : $\leq \pm 0.5 \%$ FSO	BFSL: $\leq \pm 0.25 \%$ FSO
Permissible load	$R_{max} = [(V_s - V_{smin}) / 0.02] \Omega$	
Influence effects	supply: 0.05 % FSO / 10 V	load: 0.05 % FSO / k Ω
Response time	< 10 msec	

Thermal effects	
Thermal error for offset and span in compensated range	$\leq \pm 0.2 \%$ FSO / 10 K -25 ... 70 °C

Electrical protection ²	
Short-circuit protection	permanent
Reverse polarity protection	no damage, but also no function
Electromagnetic protection	emission and immunity according to EN 61326

¹ accuracy according to IEC 60770 – limit point adjustment (non-linearity, hysteresis, repeatability)

² additional external overvoltage protection unit in terminal box KL 1 or KL 2 with atmospheric pressure reference available on request (please ask for data sheet)

LMK 306

Stainless Steel Level Transmitter

Technical Data

Permissible temperatures

Medium	-10 ... 70 °C
Storage	-25 ... 70 °C

Electrical connection

Cable with sheath material ³	PVC grey / PUR black / FEP black
---	----------------------------------

Materials

Housing	stainless steel 1.4571 (316Ti)
Seals	FKM
Diaphragm	ceramic Al ₂ O ₃ 96 %
Cable sheath	PVC / PUR / FEP

Miscellaneous

Cable capacitance	signal line/shield also signal line/signal line: 150 pF/m
Cable inductance	signal line/shield also signal line/signal line: 1.0 µH/m
Current consumption	max. 25 mA
Weight	approx. 100 g (without cable)

Mounting accessories (not part of delivery)

Screw fitting, stainless steel

Mounting flange for transmitter fixing, stainless steel:

DN25 / PN40 (Ø115, 18 thick, 4 drill holes Ø14 at Ø85)

DN50 / PN16 (Ø165, 18 thick, 4 drill holes Ø18 at Ø125)

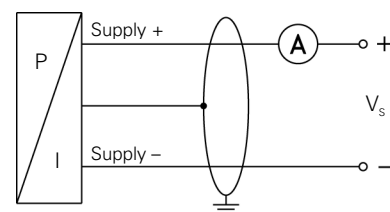
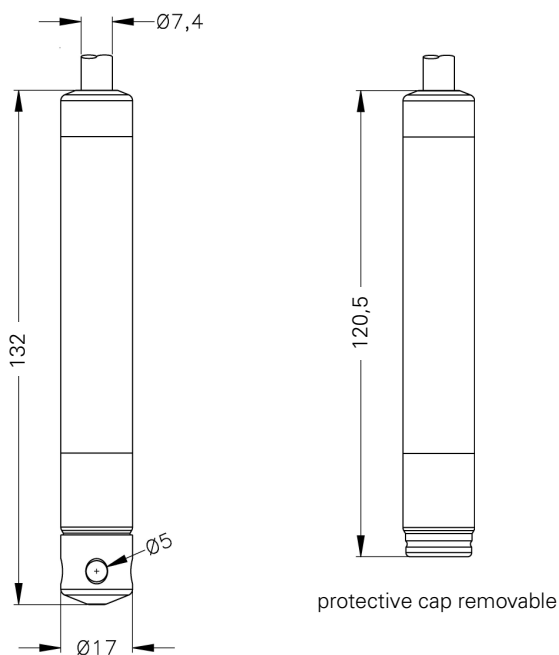
DN80 / PN16 (Ø200, 20 thick, 8 drill holes Ø18 at Ø160)

Terminal clamp, zinc plated or stainless steel

Pin configuration

Electrical connection	cable colours (DIN 47100)	
2-wire-system	Supply +	white
	Supply -	brown
	Ground	yellow / green (shield)

Dimensions / Wiring diagram



³ cable with integrated air tube for atmospheric pressure reference

Ordering Code LMK 306

LMK 306

□	□	□	-	□	□	□	□	□	-	□	□	-	□	□	-	□	□	-	□	□	□	□	-	□	□	□
---	---	---	---	---	---	---	---	---	---	---	---	---	---	---	---	---	---	---	---	---	---	---	---	---	---	---

Pressure																												
		in bar	3	7	0																							
		in mWC	3	7	1																							
Input	[mWC]	[bar]																										
	6	0,60				6	0	0	0																			
	10	1,0				1	0	0	1																			
	16	1,6				1	6	0	1																			
	25	2,5				2	5	0	1																			
	40	4,0				4	0	0	1																			
	60	6,0				6	0	0	1																			
	100	10				1	0	0	2																			
	160	16				1	6	0	2																			
	200	20				2	0	0	2																			
		customer				9	9	9	9																			
Housing																												
		Stainless steel 1.4571 (316Ti)							1																			
		customer							9																			
Diaphragm																												
		Ceramics Al ₂ O ₃ 96%							2																			
		customer							9																			
Output																												
		4 ... 20 mA / 2-wire							1																			
		customer							9																			
Seals																												
		FKM							1																			
		customer							9																			
Accuracy																												
		0,5 %							5																			
		customer							9																			
Electrical connection																												
		PVC-cable ¹							1																			
		PUR-cable ¹							2																			
		FEP-cable ¹							3																			
		customer							9																			
Cable length																												
		in m							9	9	9																	
Special version																												
		standard																								0	0	0
		customer																							9	9	9	

¹ cable with integrated air tube for atmospheric pressure reference

