

# 18.605

## OEM Pressure Transmitter Submersible

- ▶ for level measurement in water and fuel oil tanks
- ▶ piezoresistive stainless steel sensor
- ▶ output signal  
4 ... 20 mA / 2-wire
- ▶ nominal pressure ranges  
from 0 ... 100 mbar  
up to 0 ... 1 bar



# 18.605

## OEM Pressure Transmitter

## Technical Data

Input pressure range						
Nominal pressure range [bar]	0.1	0.25	0.4	0.6	1	
Permissible overpressure [bar]	0.5	1	1	3	3	

Output signal / Supply	
Standard	2-wire: 4 ... 20 mA / $V_s = 12 \dots 36 V_{DC}$
Option	3-wire: 0 ... 10 V (on request)

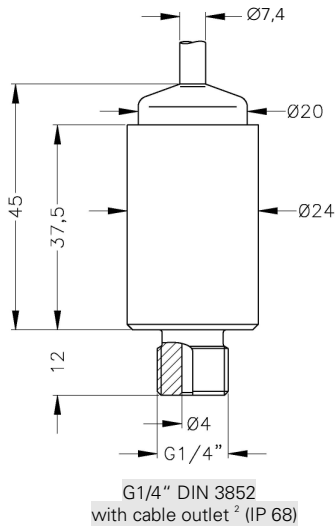
Performance		
Accuracy	IEC 60770 <sup>1</sup> : $\leq \pm 1 \% \text{ FSO}$	BFSL: $\leq \pm 0.5 \% \text{ FSO}$
Permissible load	current 2-wire: $R_{max} = [(V_s - V_{smin}) / 0.02] \Omega$	
Influence effects	supply: 0.05 % FSO / 10 V / load: 0.05 % FSO / k $\Omega$	

Thermal error (Offset and Span)	
Tolerance band	$\leq \pm 1 \% \text{ FSO}$
TC, average	$\pm 0.3 \% \text{ FSO} / 10 \text{ K}$
in compensated range	0 ... 40 °C

Permissible temperatures	
Medium	-10 ... 70 °C
Storage	-25 ... 70 °C

<sup>1</sup> accuracy according to IEC 60770 – limit point adjustment (non-linearity, hysteresis, repeatability)

### Dimensions



### Materials

Pressure port	stainless steel 1.4305 (303)
Housing	stainless steel 1.4305 (303)
Seals	FKM
Diaphragm	stainless steel 1.4435 (316L)
Cable sheath	PVC (oil resistant); others on request

### Miscellaneous

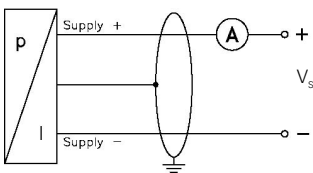
Cable length	3 m, 6 m, 9 m or 12 m; others on request
Suitable for following media	water, fuel oil
Weight (without cable)	approx. 85 g

### Pin configuration

Electrical connection	cable colours (DIN 47100)	
2-wire-system	Supply +	white
	Supply -	brown
	Ground	yellow / green (shield)

### Wiring diagram

2-wire-system (current)



<sup>2</sup> incl. PVC cable with integrated air tube for atmospheric pressure reference

**Ordering code 18.605**

**18.605** -    -     -  -     -     -     -

<b>Pressure</b>										
	bar	b	a	r						
	mWC	m	w	s						
<b>Input</b>										
	[mWC]	[bar]								
	1,0	0,1	1	0	0	0				
	2,5	0,25	2	5	0	0				
	4	0,4	4	0	0	0				
	6	0,6	6	0	0	0				
	10	1,0	1	0	0	1				
	customer		9	9	9	9				
<b>Output</b>										
	4 ... 20 mA / 2-wire						1			
	0 ... 10 V / 3-wire						3			
<b>Electrical connection</b>										
	cable outlet incl. PVC-cable <sup>1</sup>						T	R	0	
	customer						9	9	9	
<b>Cable length</b>										
	3 m						0	0	3	
	6 m						0	0	6	
	9 m						0	0	9	
	12 m						0	1	2	
	customer						9	9	9	
<b>Mechanical connection</b>										
	G1/4" DIN 3852						3	0	0	
	customer						9	9	9	
<b>Special version</b>										
	standard							0	0	0
	customer							9	9	9

<sup>1</sup> cable with integrated air tube for atmospheric pressure reference

